

DIN-vessels BS – SZ/SZA
Vertical, capacity from 0.063 up to 0.63 m³
according to DIN 28018

Vessel type SZ/SZA

Standard Design

Pressure: inner vessel -1/6 bar
Jacket -1/6 bar (SZA)
Temperature: -25/+200 °C
Code: AD specifications, ASME
IFBT test mark (according to media list BAM)
Version: DGRL 97/23/EG
Module G

Materials

Vessel: P 275 NH (1.0487)
Glass-lining: RAS GLASS®
Clamp bolts: 24CrMo5, surface-treated
Gaskets: PTFE-enveloped flat seal according to DIN 28148

Inspection

Water pressure test according to AD specification
Glass-lining test according to DIN 28063
High voltage test 20 kV/12 kV

Construction

Legs or brackets according to DIN 28145 - part 8*

Order example

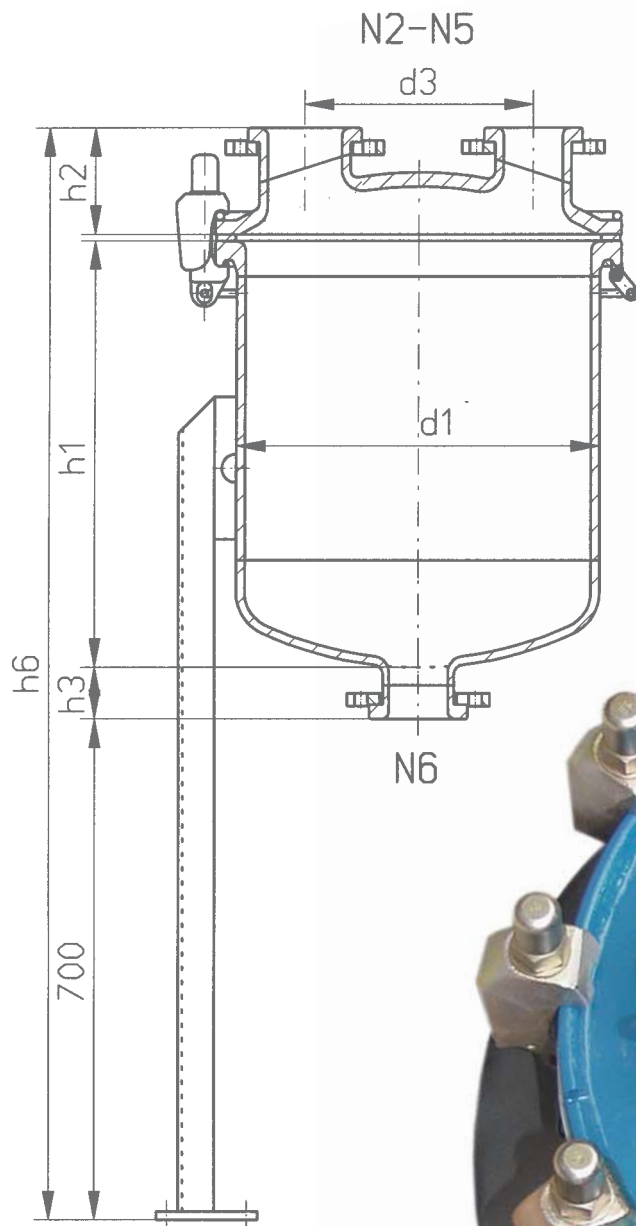
Vessel SZA - 0.40 - 800

Horizontal vessel type SZA with jacket
Nominal capacity 0.40 m³
Nominal diameter 800 mm

Order example

Vessel SZ - 0.63 - 1000

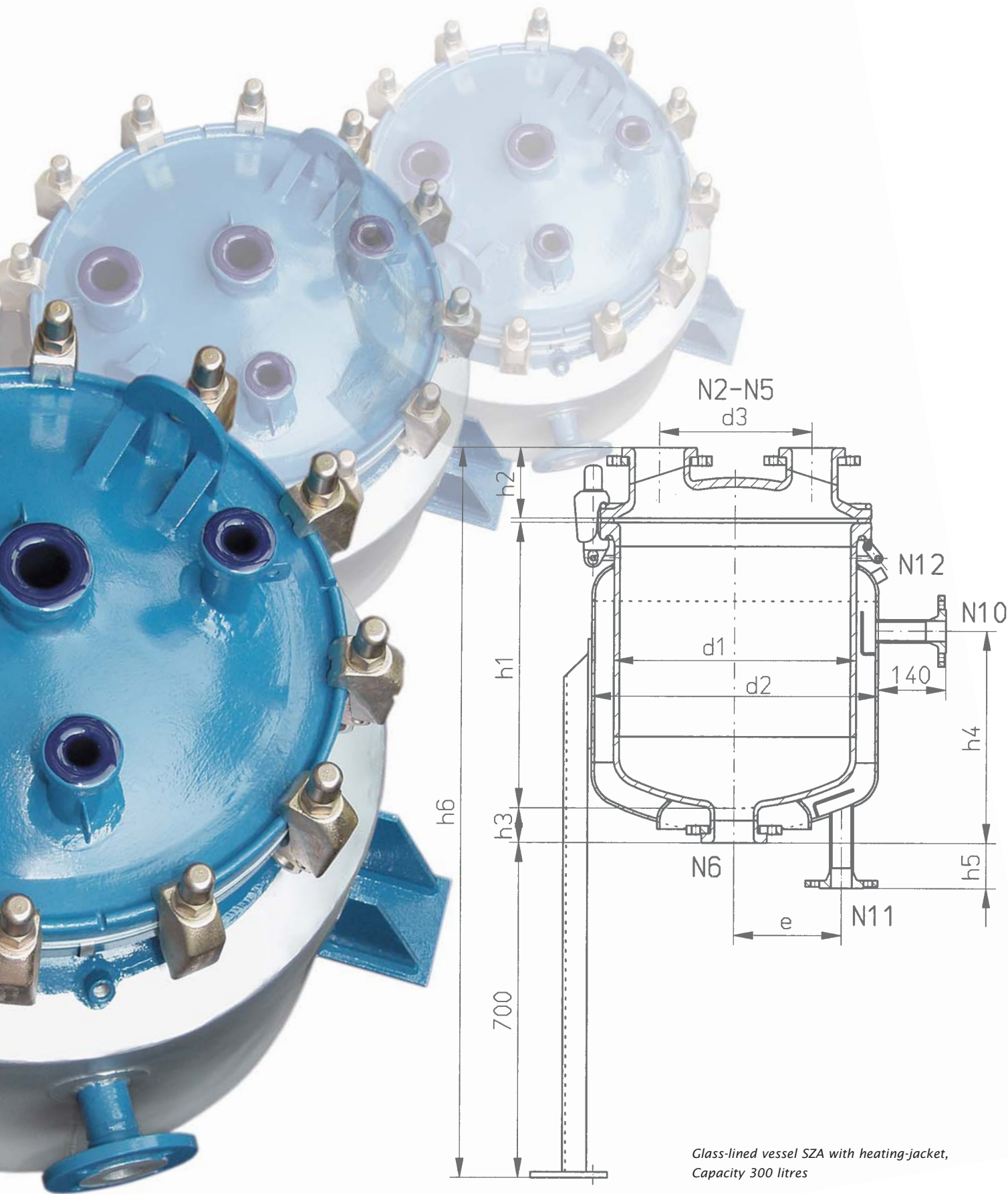
Horizontal vessel type SZ
Nominal capacity 0.63 m³
Nominal diameter 1000 mm



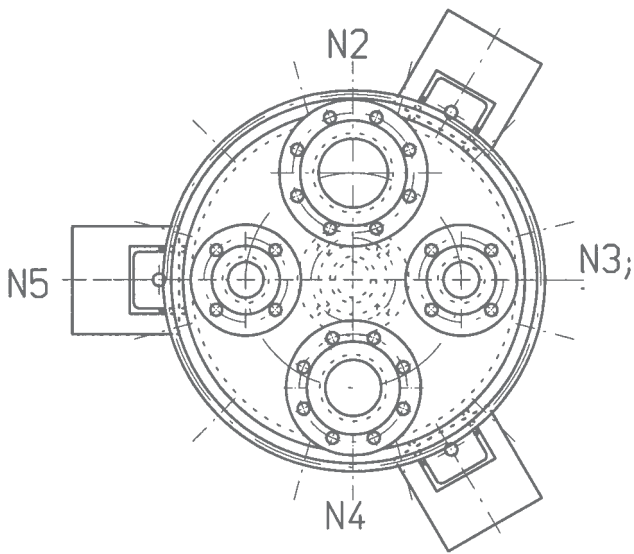
* Special design to order
Technical modifications reserved
Edition February 2004

Split vessel,
diameter 3000 mm,
capacity 26000 litres (Wacker-Chemie)

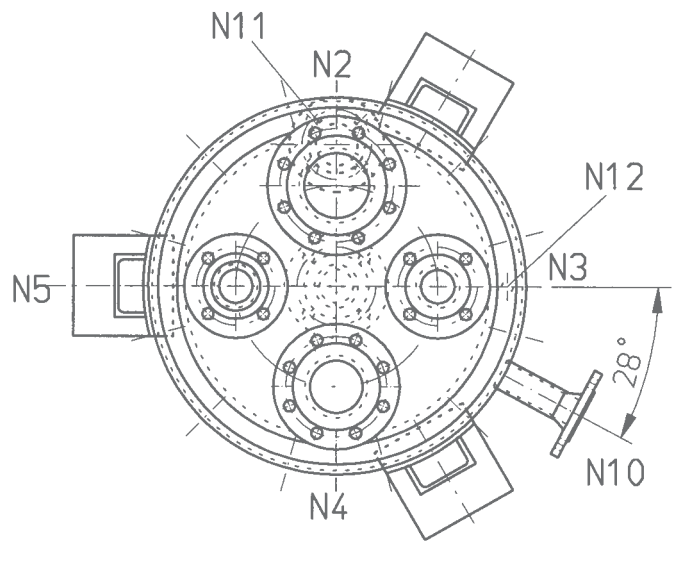




Glass-lined vessel SZA with heating-jacket,
Capacity 300 litres



SZ-vertical vessel



SZA-vertical vessel, with jacket



Computer-controlled flame-cutting robots guarantee high-precision synchronous cutting resulting in precise fitting accuracy of neck and nozzles



Our inside grinding machine for bodies, dished ends and nozzles works entirely automatically. Perfectly ground steel surfaces form the ideal base for the glass-lining



Our submerged-arc automatic welding machine does material-friendly welding based on minimal heat effect for up to 100 m of weld seams per unit



Bottom outlet valve (TBV) with pneumatic diaphragm drive



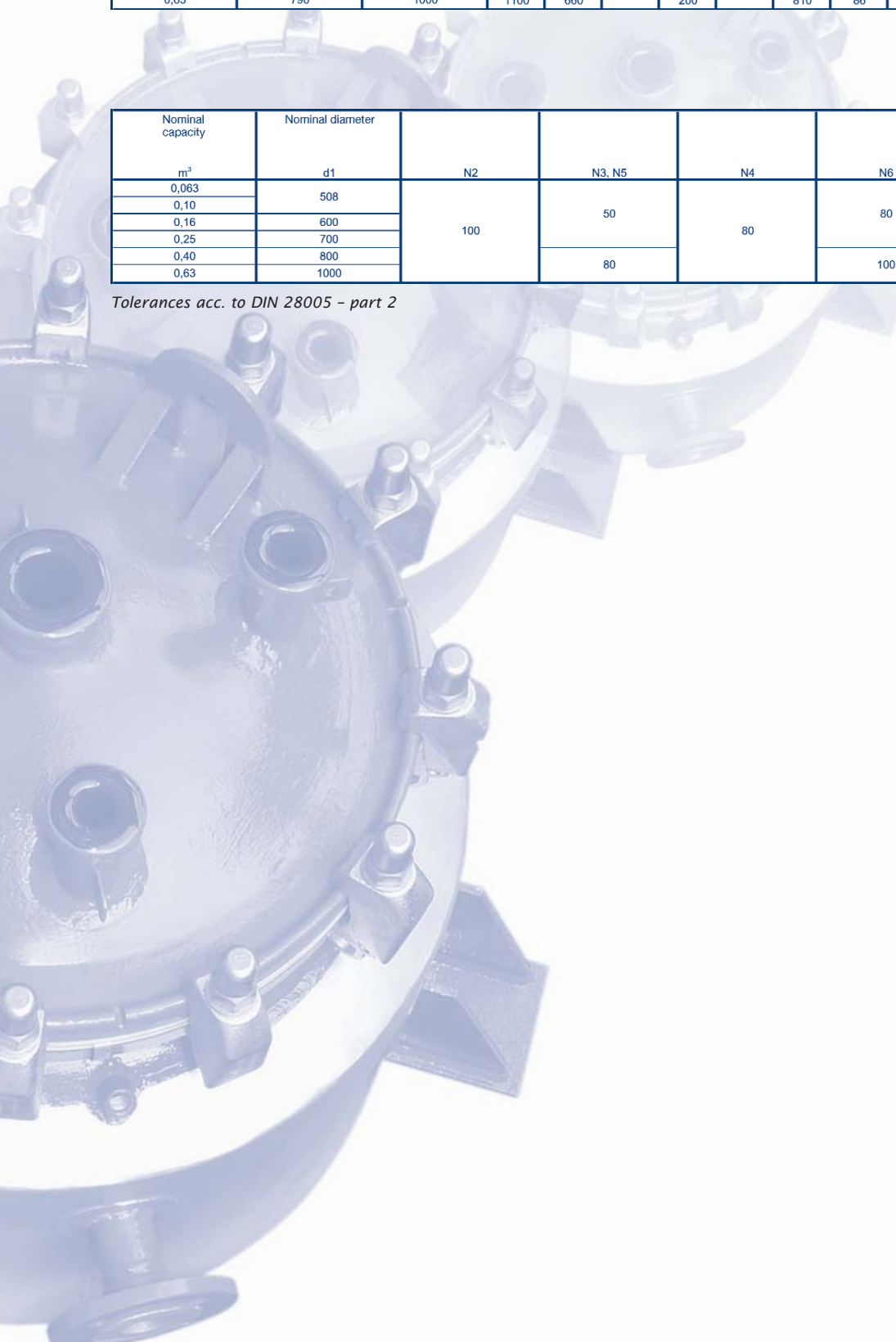
Perfect combinations of vessels and pipe fittings from Thale

Dimensions

Nominal capacity	Total capacity	Nominal diameter										weight = kg	weight = kg
m ³	l	d1	d2	d3	h1	h2	h3	h4	h5	h6 ≈	e	Form SZ	Form SZA
0,063	80	508	600	320	400	150	80	245	94	1340	225	200	250
0,10	120				600			445		1540		250	320
0,16	190	600	700	360	700	160		545	99	1650		350	450
0,25	295	700	800	440	800	170		630	102	1760		440	550
0,40	485	800	900	540	1000	90		830	76	1970		500	640
0,63	790	1000	1100	660	1000	200	810	86	2000	300	700	920	

Nominal capacity	Nominal diameter	N2	N3, N5	N4	N6	N10, N11	N12
m ³	d1						
0,063	508	100	50	80	80	40	G 1/2 "
0,10							
0,16	600						
0,25	700						
0,40	800						
0,63	1000	80	100	50			

Tolerances acc. to DIN 28005 - part 2



Competence-Info-Center

We appreciate the opportunity to provide you with further information about our glass-lined products.

- Glass-lined storage vessels and process tanks
- RAS GLASS®
- Agitator and agitator systems
- Pipe and fittings
- Columns
- Heat exchangers
- Bottom outlet valves
- Measuring probes
- Reglassing
- Pressure filter

Contact

You can phone or fax us
Tel.: +49 (0) 3947 77 8-0
Fax: +49 (0) 3947 77 8-110

sales@thaleemail.de
www.thaleemail.de

24-hours-Hotline

+49 (0) 171 6 84 42 54

EHW Thale EMAIL GmbH

Steinbachstr. 3
06502 Thale
Germany

Telephone: +49 (0) 3947 778-0
Telefax: +49 (0) 3947 778-130
24-hours-Hotline: +49 (0) 171 6 84 42 54
Distribution center Ludwigshafen:
Telephone: +49 (0) 621 60 97 653
Telefax: +49 (0) 621 60 97 342
sales@thaleemail.de