



DIN-vessels BS – SE/SEA
Vertical, capacity from 1 up to 100 m³
according to DIN 28018

Vessel type SE/SEA

1 to 10 m³ – DIN 28018

12,5 to 100 m³ – DIN 28019

Standard Design

Pressure: inner vessel -1/6 bar

Jacket -1/6 bar (SEA)

Temperature: -25/+200 °C

Code: AD specifications, ASME

IFBT test mark

(according to media list BAM)

Version: DGRL 97/23/EG

Module G

Materials

Vessel: P 275 NH (1.0487)

Glass-lining: RAS GLASS®

Clamp bolts: 24CrMo5, surface-treated

Gaskets: PTFE-enveloped flat seal
according to DIN 28148

Inspection

Water pressure test according

to AD specification

Glass-lining test according

to DIN 28063

High voltage test 20 kV/12 kV

Version

Legs according to DIN 28081 – Part 1*

Working hole with protective ring
and opening device

Order example

Vessel SEA – 8 – 1800

Vertical vessel type SEA with jacket

Nominal capacity 8 m³

Nominal diameter 1800 mm

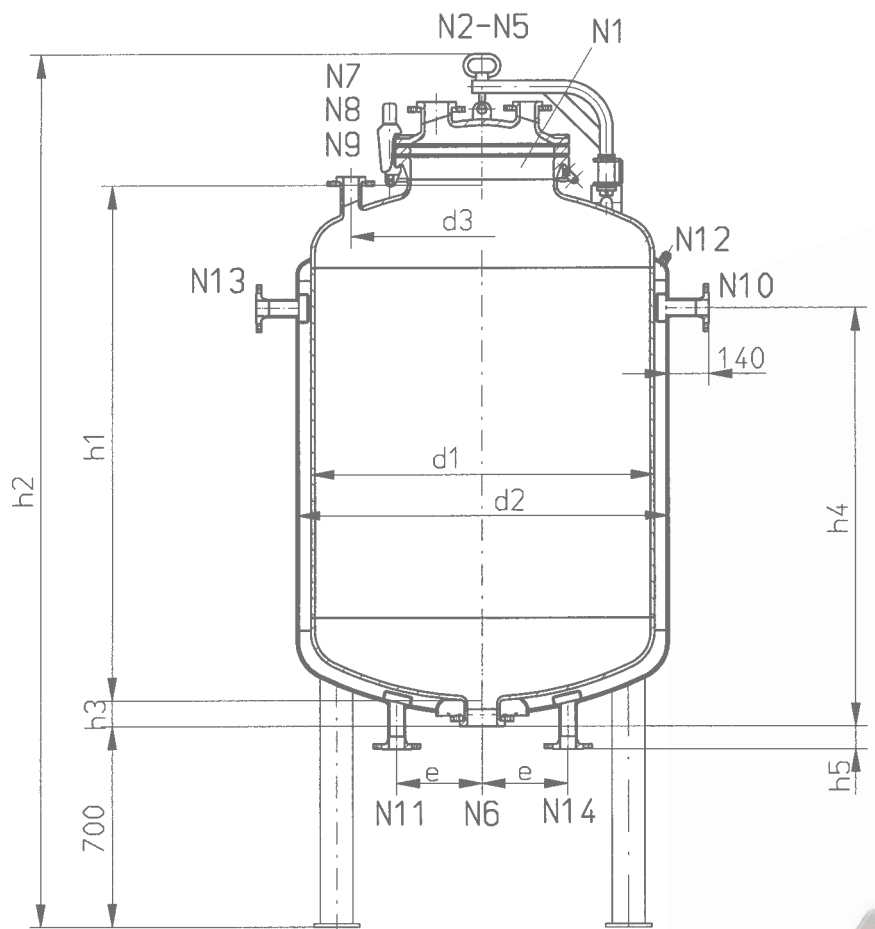
Order example

Vessel SE – 6.3 – 1600

Vertical vessel type SE with jacket

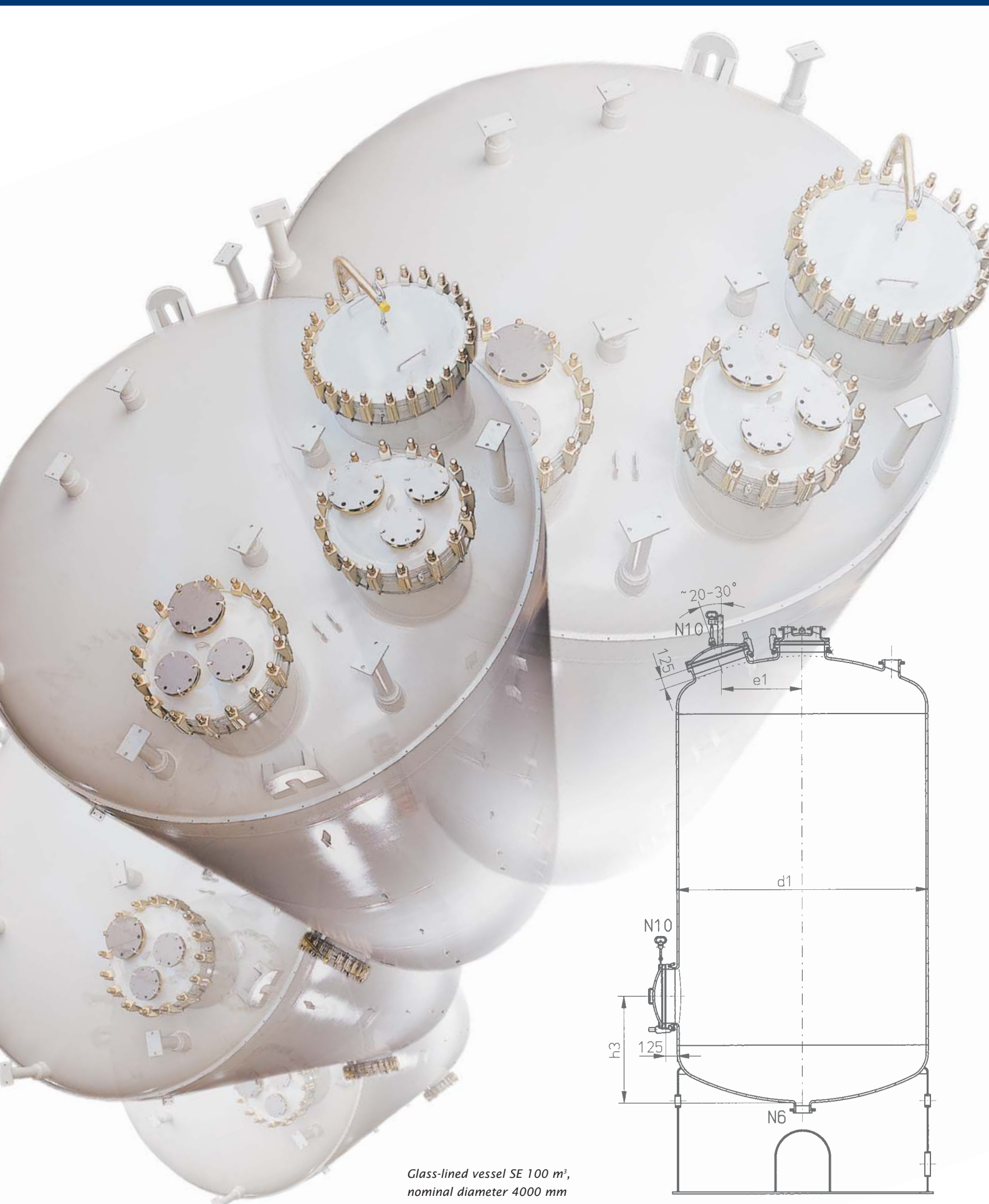
Nominal capacity 6.3 m³

Nominal diameter 1600 mm

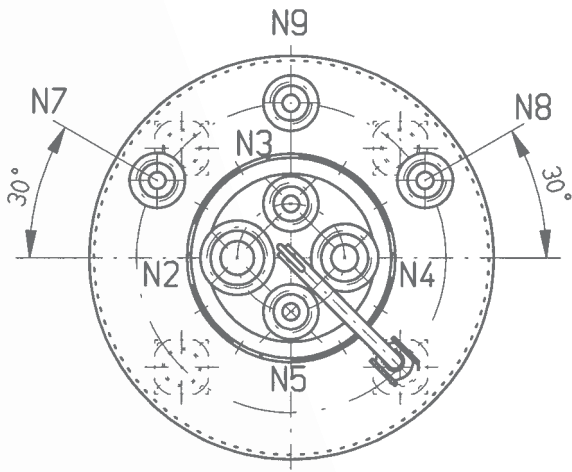


Bottom outlet valve (TBV) with
pneumatic diaphragm drive

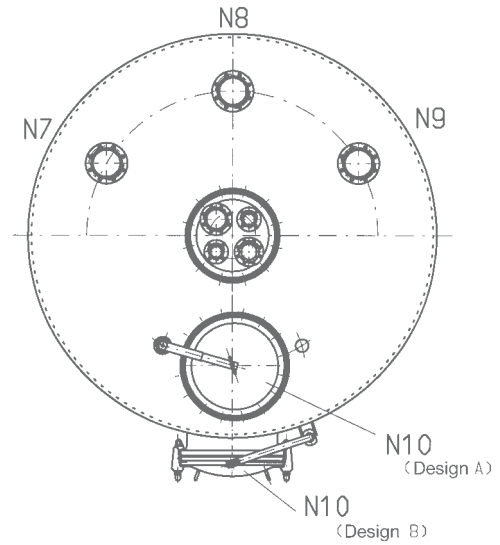
* Special design to order
Technical modifications reserved
Edition February 2004



*Glass-lined vessel SE 100 m³,
nominal diameter 4000 mm*



*SE-vertical vessel,
nominal diameter up to 2600 mm*



*SE-vertical vessel,
nominal diameter 2800 mm and upwards*



Computer-controlled flame-cutting robots guarantee high-precision synchronous cutting resulting in precise fitting accuracy of neck and nozzles



Our inside grinding machine for bodies, dished ends and nozzles works entirely automatically. Perfectly ground steel surfaces form the ideal base for the glass-lining



Thale Email supplies glass-lined vessels worldwide in even the very largest sizes



Perfect combinations of vessels and pipe fittings from Thale



We make glass-lined vessels with the maximum number of nozzles

Dimensions

Nominal capacity	Total capacity	Nominal diameter										weight ≈ kg	weight ≈ kg
m ³	l	d1	d2	d3	h1	h2	h3	h4	h5	e	Form SE	Form SEA	
1	1260	1000	1100	-	1800	2875	90	1550	86	300	850	1200	
	1800				2500	2250		1500					
1,6	1770	1200	1300	920	1800	2875	90	1510	92	300	1250	1600	
	2870				2800	3875		2510			1450	2250	
2,5	2650	1400	1500	1040	2000	3075	90	1665	97	300	1500	2400	
	4460				3200	4275		2865			2100	3500	
4	4700	1600	1700	1200	2500	3610	90	2125	101	300	2200	3400	
	7300				4000	5110		3625			75	2900	5000
6,3	7240	1800	1900	1360	3200	4315	110	2785	79	375	3000	5250	
	9240				4000	5115		3585			76	3400	6750
8	8870	2000	2100	1500	3200	4355	110	2745	82	390	3600	6500	
	10420				4500	5615		4085			76	4300	7100
10	11310	2000	2100	1500	4000	5155	110	3545	82	390	4500	7300	

Nominal capacity	Nominal diameter	Nozzle (DN)									
		N1	N2	N3 N5	N4	N6	N7 N8	N9	N10 N11	N12	N13 N14
1	1000	500	100	50	80	100	-	-	50	-	-
1,6	1200										
2,5	1400	500	100	50	80	100	50	-	50	-	-
4	1600										
6,3	1800	600	150	80	100	150	80	-	80	G 1/2 "	50
8	2000										
10	1800	600	150	80	100	150	100	100	80	-	80
	2000										

Tolerances acc. to DIN 28005 – part 2

Nominal capacity	Total capacity	Nominal diameter								weight
m ³	l	d1	d3	h1	h2	h3	e1	≈ kg		
12,5	14410	2000	-	5000	6165	-	-	-	5600	
	13620			4000	5165				5500	
16	17315	2200	1600	5000	6165	-	-	-	6100	
	18330			4500	5665				6200	
20	23180	2400	1600	5600	6765	-	-	-	7400	
	21330			4500	5665				7600	
25	27020	2600	1600	5600	6765	1200	900	10000	10000	
	27535			5000	6190				12500	
32	28050	2800	2000	4500	5690	1250	1000	11000	11000	
	35915			6400	7590				12000	
40	35625	3000	2000	5600	6790	1250	1000	12500	12500	
	45495			8000	9190				13000	
50	46695	2800	2000	7200	8390	1200	900	13500	13500	
	52150			8000	9190				16500	
63	52780	3000	2000	7200	8390	1400	1100	16500	16500	
	65925			10000	11190				18000	
80	66875	3200	2000	9000	10190	1400	1100	18000	18000	
	93815			10000	11190				27000	
100	115250	4000	2000	10000	11190	1500	1400	30500		

Nominal capacity	Nominal diameter	Nozzle (DN)						
		N1	N2	N3, N5	N4	N6	N7, N8, N9	N10
12,5	2000	600	150	80	100	150	100	-
16	2200							
20	2400	600	150	80	100	150	100	-
25	2600							
32	2800	500	100	50	80	150	150	600
	3000							
40	2800	500	100	50	80	150	150	600
	3000							
50	2800	500	100	50	80	150	150	600
	3200							
63	3000	500	100	50	80	150	150	600
	3200							
80	3600	500	100	50	80	150	150	600
100	4000							

Competence-Info-Center

We appreciate the opportunity to provide you with further information about our glass-lined products.

- Glass-lined storage vessels and process tanks
- RAS GLASS®
- Agitator and agitator systems
- Pipe and fittings
- Columns
- Heat exchangers
- Bottom outlet valves
- Measuring probes
- Reglassing
- Pressure filter

Contact

You can phone or fax us
Tel.: +49 (0) 3947 77 8-0
Fax: +49 (0) 3947 77 8-110

sales@thaleemail.de
www.thaleemail.de

24-hours-Hotline

+49 (0) 171 6 84 42 54

EHW Thale EMAIL GmbH

Steinbachstr. 3
06502 Thale
Germany

Telephone: +49 (0) 3947 778-0
Telefax: +49 (0) 3947 778-130
24-hours-Hotline: +49 (0) 171 6 84 42 54
Distribution center Ludwigshafen:
Telephone: +49 (0) 621 60 97 653
Telefax: +49 (0) 621 60 97 342
sales@thaleemail.de
www.thaleemail.de