

**DIN-vessels BL-LE**  
**Horizontal, capacity from 1 up to 100 m<sup>3</sup>**  
**according to DIN 28018 and 28019**

# Vessel type LE/LEA

**1 to 10 m<sup>3</sup> – DIN 28018**

**12.5 to 100 m<sup>3</sup> – DIN 28019**

## Standard Design

Pressure: inner vessel -1/6 bar

Jacket -1/6 bar

Temperature: -25/+200 °C

Code: AD specifications, ASME

IFBT test mark

(according to media list BAM)

Version: DGRL 97/23/EG

Module G

## Materials

Vessel: P 275 NH (1.0487)

Glass-lining: RAS GLASS®

Clamp bolts: 24CrMo5, surface-treated

Gaskets: PTFE-enveloped flat seal  
according to DIN 28148

## Inspection

Water pressure test according  
to AD specification

Glass-lining test according  
to DIN 28063

High-voltage test 20 kV/12 kV

## Construction

Saddle according to DIN 28080

Working hole with protective ring  
and opening device

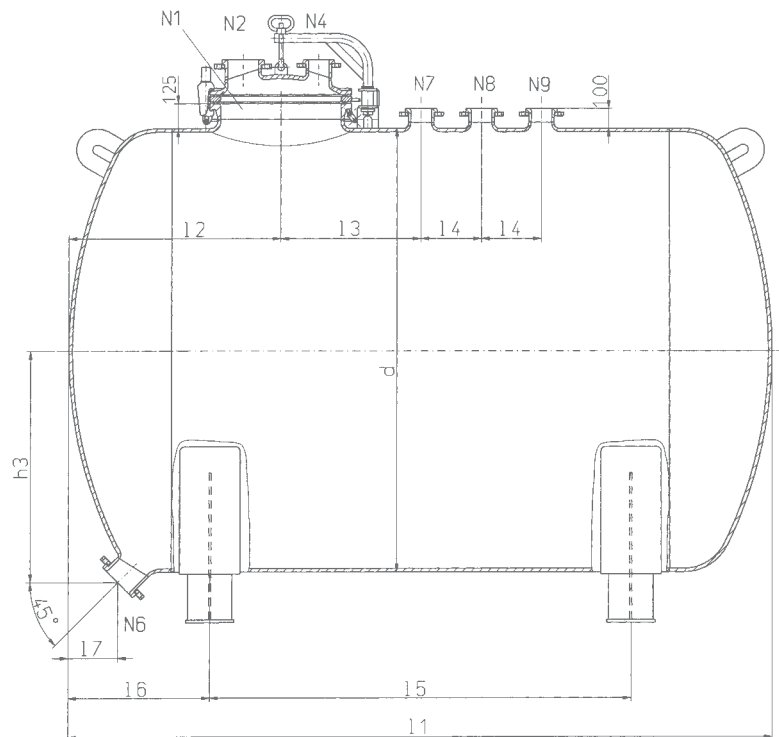
## Order example

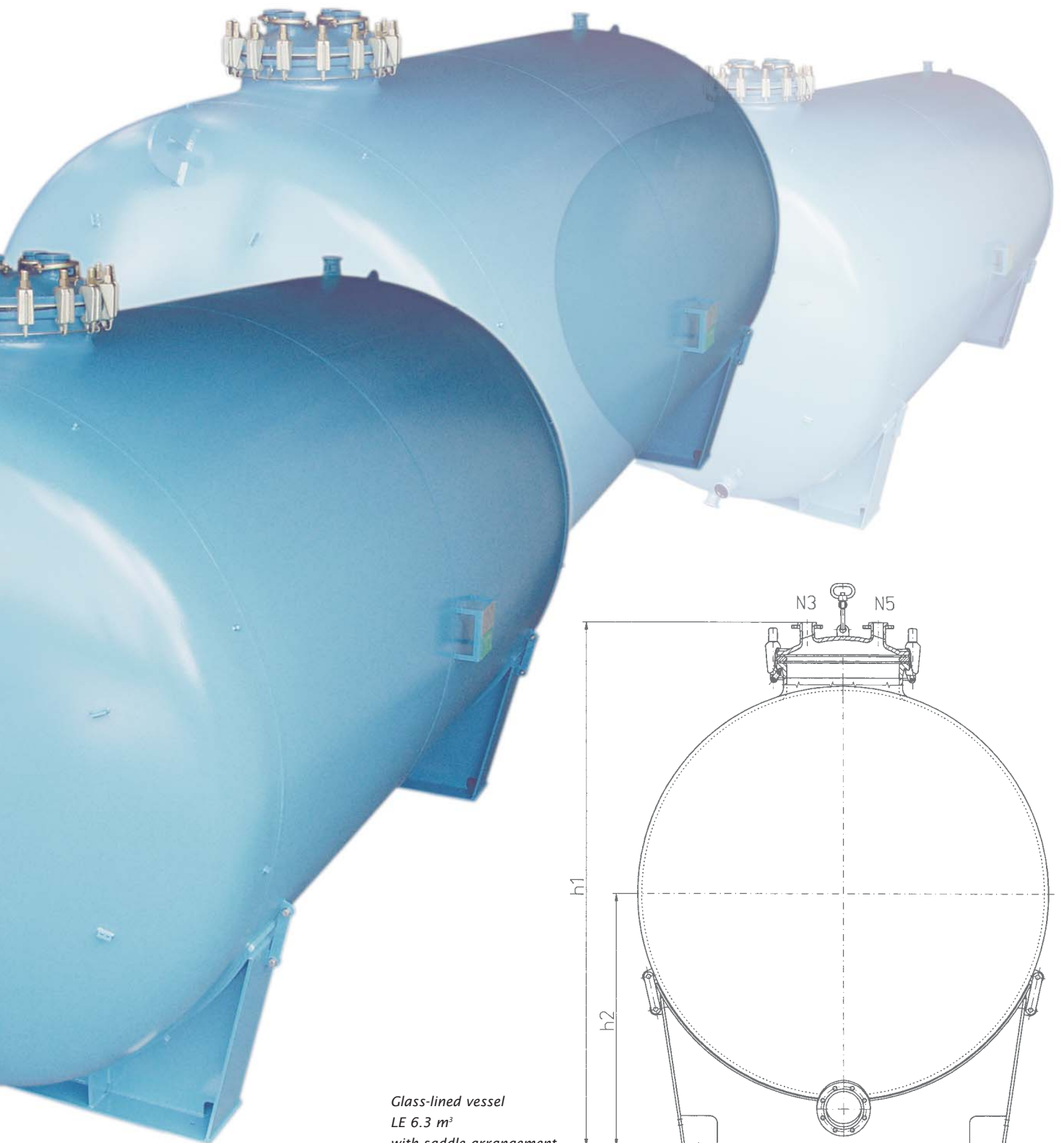
### Vessel LE – 1.6 – 1200

Horizontal vessel type LE

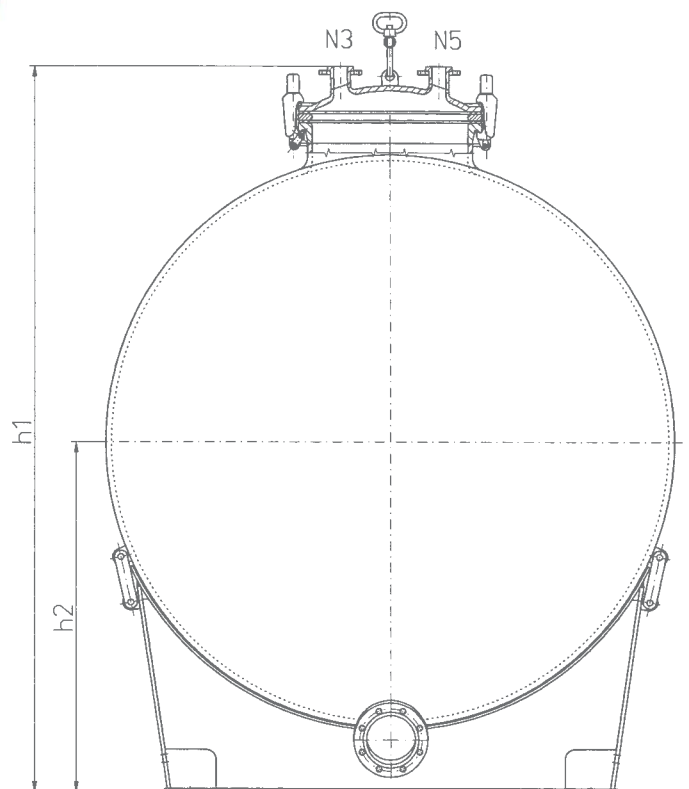
Nominal capacity 1.6 m<sup>3</sup>

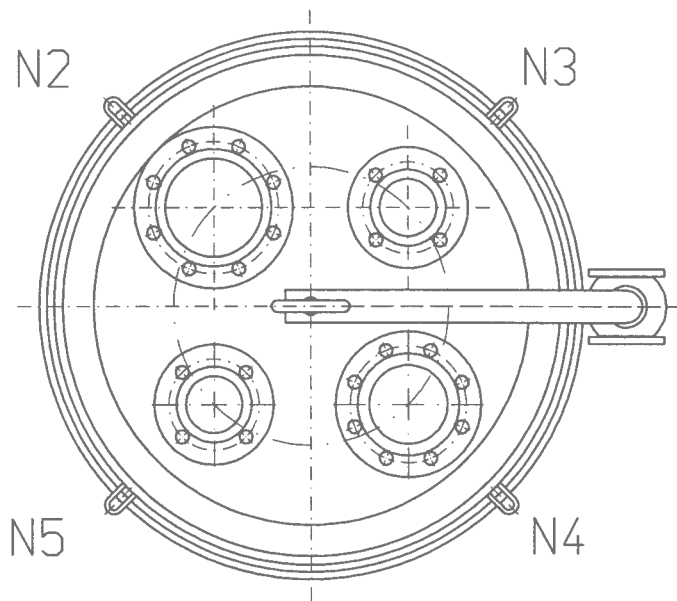
Nominal diameter 1200 mm





*Glass-lined vessel  
LE 6.3 m<sup>3</sup>  
with saddle arrangement*





*Plan view of working cover with protective ring and swivelling device*



*Computer-controlled flame-cutting robots guarantee high-precision synchronous cutting resulting in neck and nozzles that fit with absolute precision*



*Our inside grinding machine for bodies, dished ends and nozzles works entirely automatically. Perfectly ground steel surfaces form the ideal base for the glass-lining*



*Our submerged-arc automatic welding machine does material-friendly welding based on minimal heat effect for up to 100 m of weld seams per unit*



*Perfect combinations of vessels and pipe fittings from Thale*



*Thale Email supplies glass-lined vessels worldwide in even the very largest sizes*

# Dimensions

Nominal capacity m <sup>3</sup>	Total capacity l	Nominal diameter d	l1	l2	l3	l4	l5	l6	l7	h1	h2	h3	weight
													≈ kg
1	1260	1000	1800	750	-	-	1000	400	50	1525	700	550	900
1,6	1800		2500				1700						1100
	2,5	1770	1200	1800	800	500	250	900	450	85	1725	800	655
2870		2800		1500									
4	2650	1400	2000	850	550	300	1000	500	120	1925	90	755	1700
	4460		3200				2200						2400
6,3	4400	1600	2500	900	600	350	1300	600	160	2175	1050	860	2300
	7300		4000				2800						135
8	7240	1800	3200	950	650	400	1800	700	170	2400	1150	945	3300
	9240		4000				2600						3600
10	8870	2000	3200	1000	700	450	1700	750	210	2600	1250	1045	3700
	10420		4500				3000						170
12,5	11310	2000	4000	1000	750	500	2500	650	210	2600	1250	1045	4300
	14410		5000				3700						5600
16	13620	2200	4000	1050	800	550	2700	800	245	2800	1350	1150	5800
	17315		5000				3700						6200
20	18330	2400	4500	1300	850	600	3100	900	280	3000	1450	1250	6300
	23180		5600				4200						7600
25	21330	2600	4500	1100	900	650	2900	800	320	3200	1550	1350	7700
	27020		5600				4000						9700
32	27535	2800	5000	1200	950	700	3300	850	360	3400	1650	1450	9900
	28050		3000				4500						2700
40	35915	2800	6400	1200	1000	750	4700	850	360	3400	1650	1450	12000
	35625		3000				5600						3800
50	45495	2800	8000	1200	1050	800	6300	850	360	3400	1650	1450	12900
	46645		7200				5400						13200
63	52150	3000	8000	1250	1100	850	6200	900	395	3600	1750	1550	15600
	52785		3200				7200						5200
80	65925	3000	10000	1250	1200	900	8200	900	395	3600	1750	1550	17200
	66875		3200				9000						7000
100	93815	3600	10000	1400	1300	950	7600	1200	510	4200	2050	1850	26000
	115250		4000				10000						590

Nominal capacity m <sup>3</sup>	Nominal diameter d	Nozzle (DN)						
		N1	N2	N3, N5	N4	N6	N7, N8	N9
1	1000	500	100	50	80	100	-	-
1,6	1200						80	
2,5	1400	600	150	80	100	150	100	100
4	1600							
6,3	1800	600	150	80	100	150	100	150
8	2000							
10	1800	600	150	80	100	150	100	150
12,5	2000							
16	2200	600	150	80	100	150	100	150
20	2400							
25	2600	600	150	80	100	150	100	150
	2800							
32	3000	600	150	80	100	150	100	150
	2800							
40	3000	600	150	80	100	150	100	150
	2800							
50	3000	600	150	80	100	150	100	150
	3200							
63	3000	600	150	80	100	150	100	150
	3200							
80	3600	600	150	80	100	150	100	150
100	4000	600	150	80	100	150	100	150

Tolerances acc. to DIN 28005 - part 2

## Competence-Info-Center

We appreciate the opportunity to provide you with further information about our glass-lined products.

- Glass-lined storage vessels and process tanks
- RAS GLASS®
- Agitator and agitator systems
- Pipe and fittings
- Columns
- Heat exchangers
- Bottom outlet valves
- Measuring probes
- Reglassing
- Pressure filter

## Contact

You can phone or fax us  
Tel.: +49 (0) 3947 77 8-0  
Fax: +49 (0) 3947 77 8-110

[sales@thaleemail.de](mailto:sales@thaleemail.de)  
[www.thaleemail.de](http://www.thaleemail.de)

## 24-hours-Hotline

**+49 (0) 171 6 84 42 54**

---

## EHW Thale EMAIL GmbH

Steinbachstr. 3  
06502 Thale  
Germany

Telephone: +49 (0) 3947 778-0  
Telefax: +49 (0) 3947 778-130  
24-hours-Hotline: +49 (0) 171 6 84 42 54  
Distribution center Ludwigshafen:  
Telephone: +49 (0) 621 60 97 653  
Telefax: +49 (0) 621 60 97 342  
[sales@thaleemail.de](mailto:sales@thaleemail.de)  
[www.thaleemail.de](http://www.thaleemail.de)